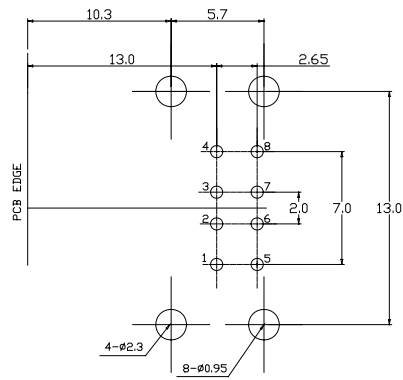
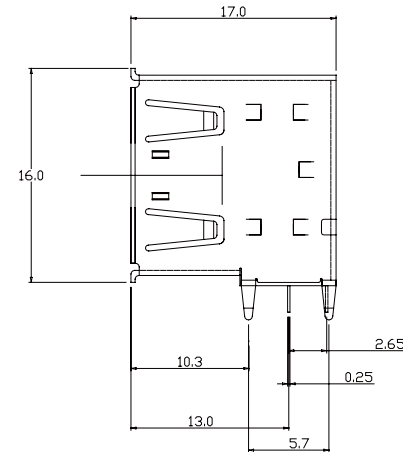
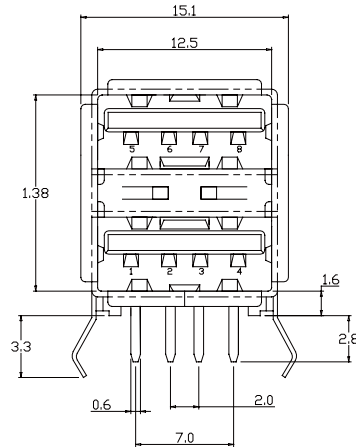


BY	CHK	REVISION RECORD MODIFICATIONS	DATE	REV.
ALLEN		RELEASE TO PRODUCTION	2007,9,10	1.0



PCB LAYOUT  
(BOTTOM VIEW)

Part No.: USB-002-A    -L

B : Black W : White

No.	NAME	MATERIAL	FINISH	Q'TY	REMARK
1	HOUSING	P.B.T.	BLACK/WHITE	1	
2	PIN TERM.	COPPER ALLOY	GOLD/TIN PLATED	8	Ni1-15u/TIN3u. GOLD1-3
3	SHELL	BRASS,0.3mm	TIN PLATED	1	TIN:3~5u
4	SHELL	BRASS,0.3mm	TIN PLATED	1	TIN:3~5u
5	SHELL	SPCC,0.3mm	NICKEL PLATED	1	

APPRO	CHECK	DRAWN	PART NO.	Part No.:USB-002-A-L		
			ITEM NO.			
			DRAW NO.			
			UNIT	mm	SCALE	no
			TOLER		NO.	

DESCRIPTION

